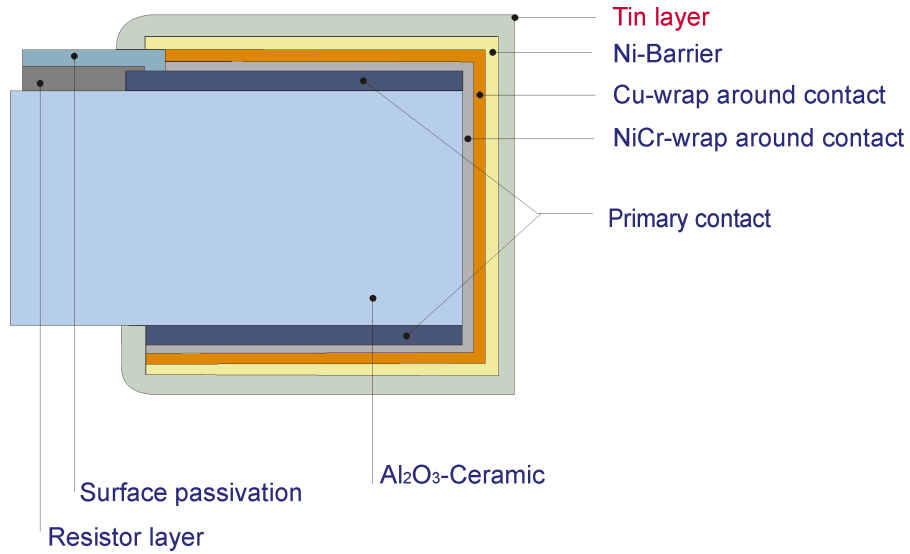


Contact variants - Thin film

All components, depending on specifications, are produced to customer request in any of the following contact variants.

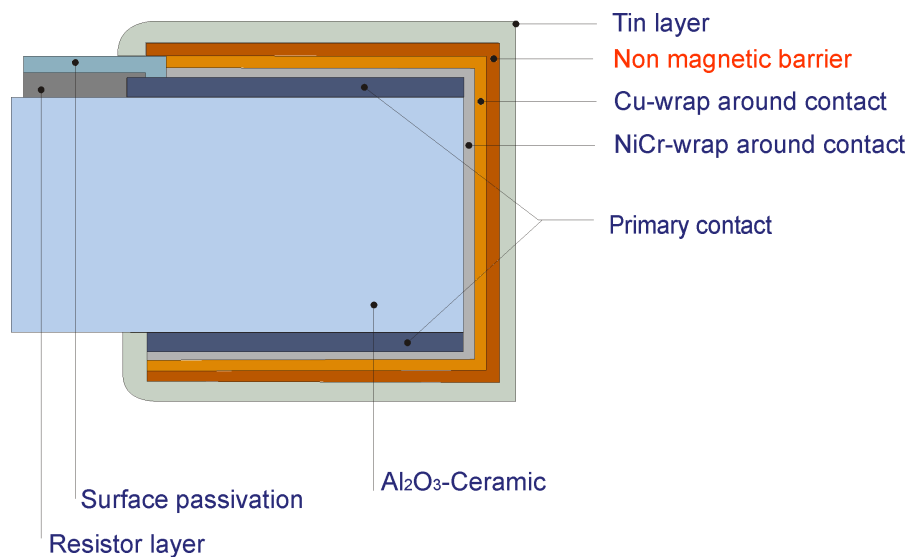
Lead-free galvanic standard contact:

- Electroplated pure tin contact



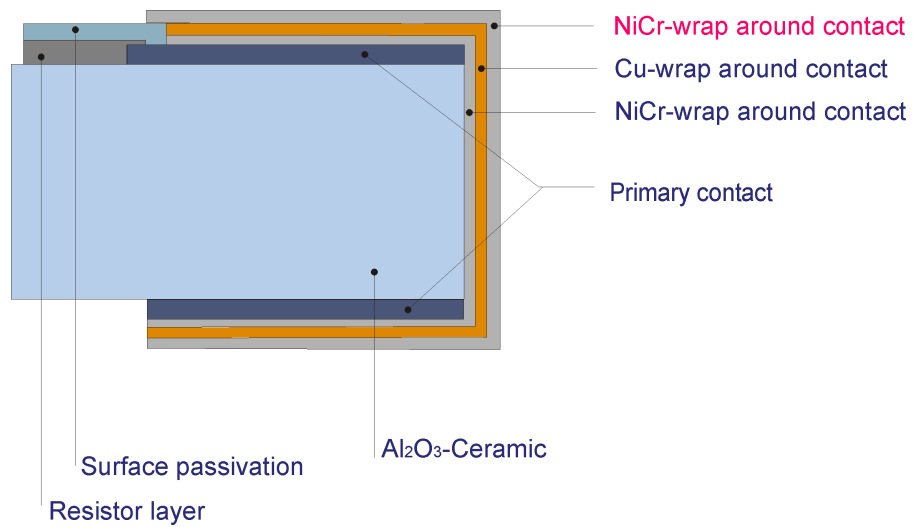
Non magnetic galvanic contact:

- Contact system without electroplated Ni-Barrier (low rest permeability)



Epoxy bondable contact:

- Tin-free sputtered contact for mounting with conductive adhesives

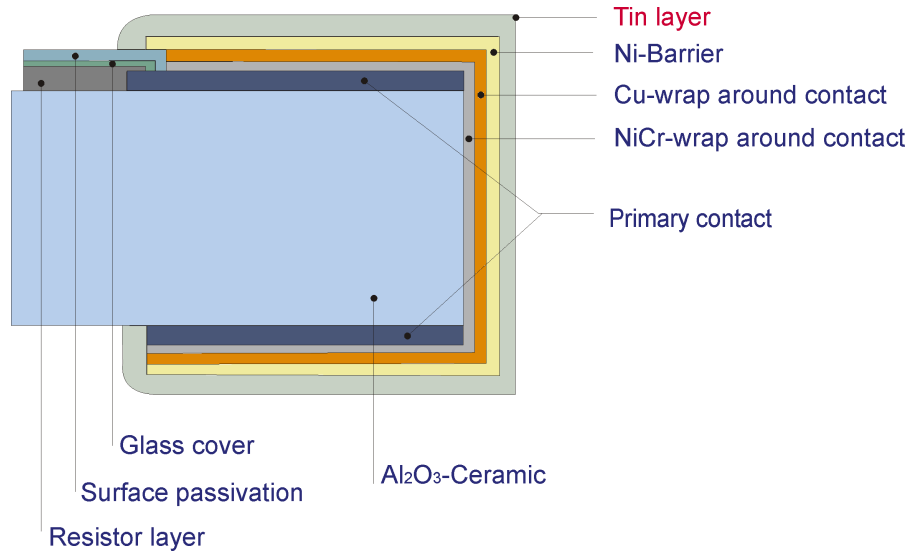


Contact variants – Thick film

All components, depending on specifications, are produced to customer request in any of the following contact variants.

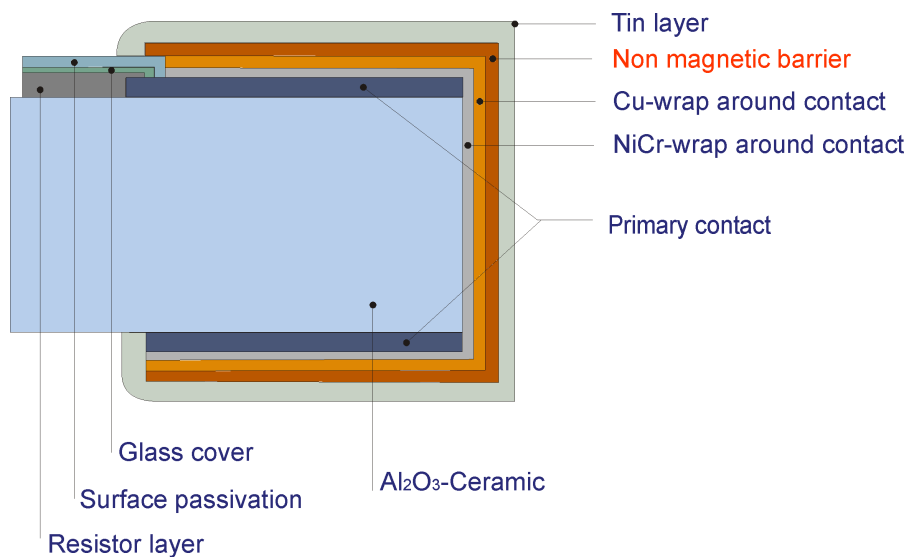
Lead-free galvanic standard contact:

- Electroplated pure tin contact



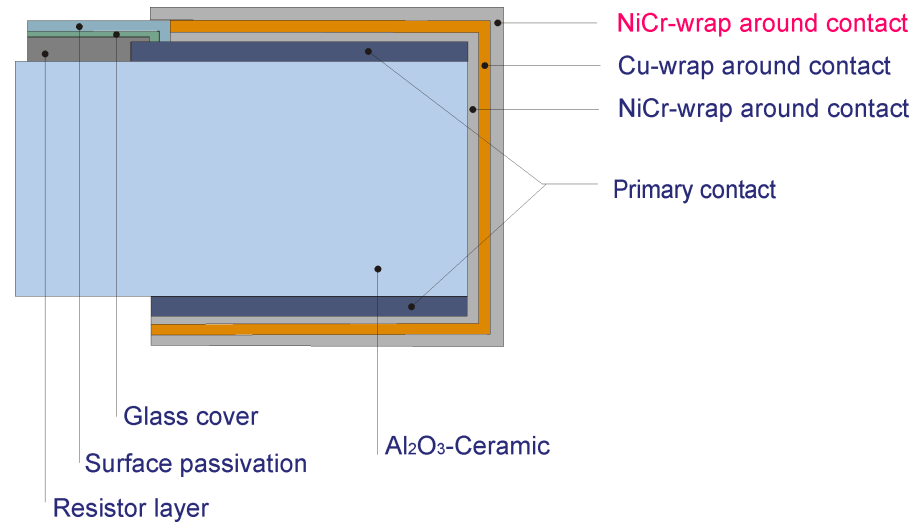
Non magnetic galvanic contact:

- Contact system without electroplated Ni-Barrier (low rest permeability)



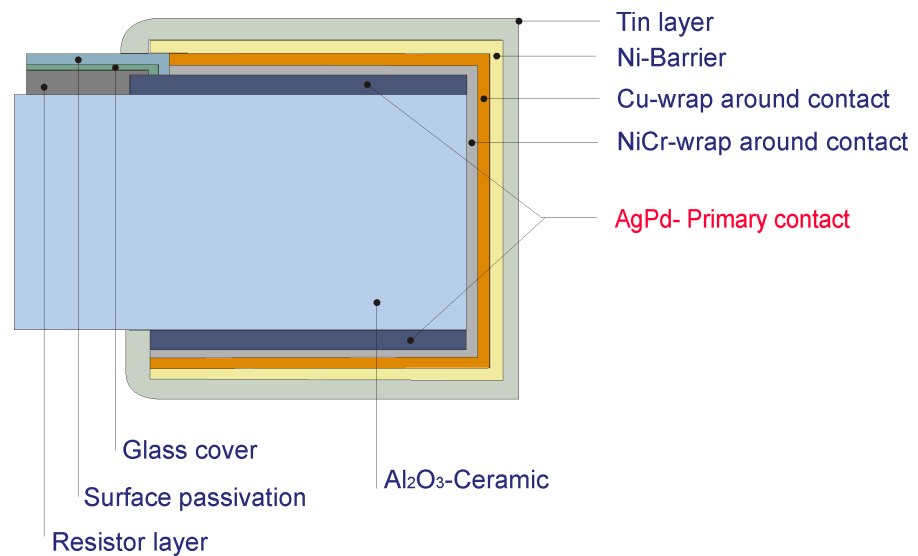
Epoxy bondable contact:

- Tin-free sputtered contact for mounting with conductive adhesives



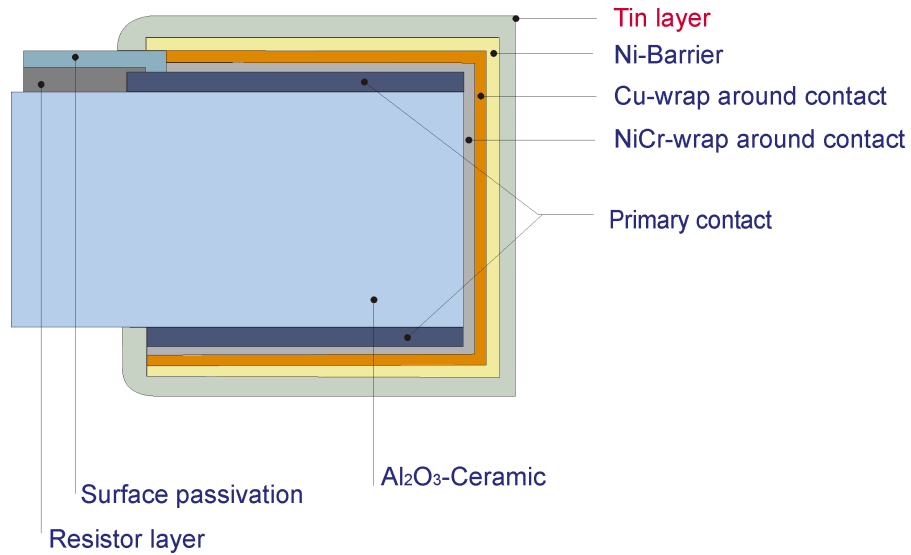
Corrosive gas resistant contact:

- Contact system with increased resistance against sulfonamide processes



Contact variants - Automotive variant – Thin film:

- Lead free, electroplated pure tin contact



Contact variants - Automotive variant – Thick film:

- Lead free, electroplated pure tin contact

