

Voltage proof thin film series

Type: **CMV**

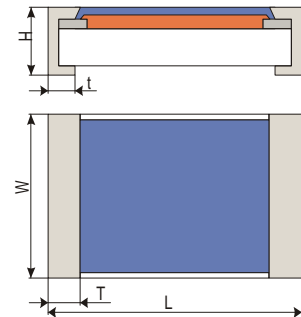
Sizes: **1206, 2512**

Characteristics:

- Chip resistors in thin film technology with higher voltage resistance
- High-precision resistor layers
- Resistance area coated with surface passivation
- Highest stability and reliability
- Very tight tolerances ($\geq 0,05\%$) - low temperature coefficient ($\geq 10\text{ppm/K}$)
- Low current noise, good pulse strength
- RoHS-conform
- Order quantities from 1000 pieces for $<1\%$ and $<TCR 50$ available by extra charge
- Customer specific barcodes available - also in 2D
- All sizes can be manufactured with the following contact variants
 - ⇒ Electroplated alloy resistant tinned
 - ⇒ Contact with low rest permeability -N, suitable only for reflow soldering method
 - ⇒ Epoxy bondable contact -K

Dimensions (in mm):

Size	L Length		W Width		H Depth		t Contact back		T Contact Front	
	Min	Max	Min	Max	Min	Max	Min	Max	Min	Max
	1206	2,90	3,35	1,45	1,75	0,35	0,65	0,25	0,75	0,15
2512	6,10	6,50	3,00	3,30	0,50	0,75	0,35	0,85	0,25	0,85



Packaging units:

Reel Ø	Card tape acc. EN 60286-3	Blister tape
180 mm	5 T pcs.	4 T pcs.
330 mm	10 T pcs. 20 T pcs.	8 T pcs. 16 T pcs.
Samples possible up to 50 pcs./value		

Ordering information:

CMV	- N	1206	500k	0,5%	25ppm/K	K	P	10 (optional)
Type	Contact	Size	R-Value	\pm Tolerance	\pm TCR	Marking	Packaging	pcs. / Reel (T pcs.)
CMV	-Standard (without add.) -N (non magnetic) -K (epoxy bondable)	1206 2512	100k . to . 4M7	0,05 0,1 0,25 0,5 1	10 25 50	K- only with	P- Card tape B- Blister tape S- Bulk	Depends on size and packaging unit

Voltage proof thin film series

Type: **CMV**

Sizes: **1206, 2512**

Technical data – depending on size:

Size	U _{max} (V)	P ₇₀ ¹⁾ (W)	R-Range	R-Tolerance (± %)	TCR (± ppm/K)	Packaging		
						P	B	S
1206	300	0,25	100k – 1M00	0,05 / 0,1 / 0,25 / 0,5 / 1	10	x		x
			1M00– 2M00	0,05 / 0,1 / 0,25 / 0,5 / 1	25	x		x
			100k – 4M70	0,05 / 0,1 / 0,25 / 0,5 / 1	50	x		x
2512	1000	1	100k – 1M00	0,05 / 0,1 / 0,25 / 0,5 / 1	10		x	x
			1M00 – 2M00	0,05 / 0,1 / 0,25 / 0,5 / 1	25		x	x
			100k – 4M70	0,05 / 0,1 / 0,25 / 0,5 / 1	50		x	x

¹⁾ For continuous operation a sufficient heat dissipation must be ensured.

Technical data - general:

Technical data	
Operating temperature range	-55°C ... +155°C
Climatic category acc. EN 60068	55 / 155 / 56
Solderability acc. EN 60068-2-58	245°C 3s
Soldering heat resistance acc. EN 60068-2-58	± (0,05% +0,01R) at 260°C 10s
Long time stability	
Storage 155°C / 1000h	± (0,25% +0,05R)
Endurance P ₇₀ / 70°C / 1000h	± (0,25% +0,05R)
Damp heat, steady state (56d / 40°C / 96%)	± (0,25% +0,05R)

Data, unless specified, acc. EN 140401-801.