

**Platinum-Chip-Temperature sensors acc. DIN EN 60 751**

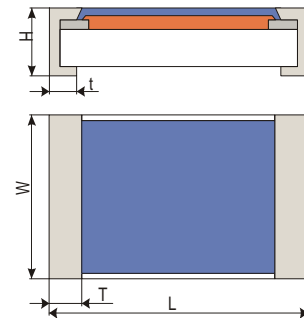
**Type: CPT**  
**Sizes: 0805, 1206**

**Characteristics:**

- Temperature sensors in thin film technology
- Wide area of temperature measurement from -50 to +150°C
- Standardized nominal values and tolerances
- High measurement accuracy and good long time stability
- Good linear characteristic curves
- Varnish passivation
- Galvanic wrap-around contact with diffusion barrier
- Suitable for automatic large-scale production
- Tape packaging acc. DIN IEC 286-3
- RoHS-conform

**Dimensions (in mm):**

Size	L Length	W Width	H Depth	T/t Contact
<b>0805</b>	2,00±0,2	1,30±0,2	0,50±0,2	0,40±0,2
<b>1206</b>	3,10±0,2	1,50±0,2	0,80±0,2	0,50±0,2



**Packaging units:**

Reel Ø	Card tape acc. EN 60286-3
<b>180 mm</b>	5 T pcs.
<b>330 mm</b>	10 T pcs. 20 T pcs.
Samples possible up to 50 pcs./value	

**Ordering information:**

CPT	0805	1k	B	K	P	5 (optional)
Type	Size	R-Value	Class	Marking	Packaging	pcs. / Reel (T pcs.)
CPT	0805 1206	100R 500R 1k	Temperature range Class B	K- only with	P- Card tape S- Bulk	Depends on size and packaging unit

**Platin-Chip-Temperature sensors acc. DIN EN 60 751**

**Type: CPT**  
**Sizes: 0805, 1206**

**Technical data:**

<b>Nominal R-Values:</b>	100 Ohm, 500 Ohm, 1000 Ohm at 0°C
<b>Temperature coefficient:</b>	$\alpha = 3,850 \times 10^{-3}/^{\circ}\text{C}$ (between 0 and 100°C)
<b>Temperature range:</b>	-50 ... +150°C
<b>Tolerance:</b>	Temperature range Class B: -50 to +150°C
<b>Measurement current:</b>	Pt 500                      0,7mA recommended Pt 1000                     0,1mA recommended
<b>Maximum current:</b>	Pt 500                      3,0mA Pt 1000                     1,0mA
<b>Long time stability:</b>	max. $R_0$ -Drifting $\leq 0,05\%$ / Year
<b>Insulation R-Value:</b>	>10M at room temperature
<b>Self-heating:</b>	$\Delta t = I^2 * R * E$
<b>Soldering connections:</b>	Electroplated tinned wrap-around contact with diffusion barrier Solderability, see DIN IEC 68 Part 2
<b>Processing:</b>	Reflow soldering (Soldering temperature/time $\leq 240^{\circ}\text{C}$ / 8s) Flood soldering (Soldering temperature/time $\leq 260^{\circ}\text{C}$ / 10s)
<b>SMD-Sizes:</b>	The types CPT 0805 and CPT 1206 are produced acc. CECC 40401-004/DIN 45 921.
<b>Operating conditions:</b>	Platinum-Temperature sensors may not be used unprotected inside moist environments or inside aggressive atmospheres. It's necessary to perform a check by the user before using inside applications.
<b>Packaging:</b>	Card tape, small quantities also as bulk
<b>Storage:</b>	Inside tape packaging (standard), Platinum-Temperature sensors can be stored under normal environment conditions at least 12 month.